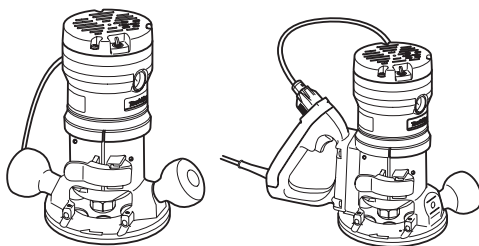


INSTRUCTION MANUAL
MANUEL D'INSTRUCTION
MANUAL DE INSTRUCCIONES



Router Défonceuse Rebajadora

RF1100
RF1101
RD1101



IMPORTANT: Read Before Using.

IMPORTANT : Lire avant usage.

IMPORTANTE: Lea antes de usar.

SPECIFICATIONS

Model	RF1100	RF1101	RD1101
Collet chuck capacity	1/2" and 1/4"		
No load speed (RPM)	24,000 /min	8,000 - 24,000 /min	8,000 - 24,000 /min
Overall height	223 mm (8-3/4")		
Net weight	3.3 kg (7.2 lbs)		3.3 kg (7.3 lbs)

- Due to our continuing program of research and development, the specifications herein are subject to change without notice.
- Specifications may differ from country to country.
- Weight according to EPTA-Procedure 01/2003

General Power Tool Safety Warnings

⚠WARNING Read all safety warnings and all instructions. Failure to follow the warnings and instructions may result in electric shock, fire and/or serious injury.

Save all warnings and instructions for future reference.

The term "power tool" in the warnings refers to your mains-operated (corded) power tool or battery-operated (cordless) power tool.

Work area safety

1. **Keep work area clean and well lit.** Cluttered or dark areas invite accidents.
2. **Do not operate power tools in explosive atmospheres, such as in the presence of flammable liquids, gases or dust.** Power tools create sparks which may ignite the dust or fumes.
3. **Keep children and bystanders away while operating a power tool.** Distractions can cause you to lose control.

Electrical safety

4. **Power tool plugs must match the outlet. Never modify the plug in any way. Do not use any adapter plugs with earthed (grounded) power tools.** Unmodified plugs and matching outlets will reduce risk of electric shock.
5. **Avoid body contact with earthed or grounded surfaces such as pipes, radiators, ranges and refrigerators.** There is an increased risk of electric shock if your body is earthed or grounded.
6. **Do not expose power tools to rain or wet conditions.** Water entering a power tool will increase the risk of electric shock.
7. **Do not abuse the cord. Never use the cord for carrying, pulling or unplugging the power tool. Keep cord away from heat, oil, sharp edges or moving parts.** Damaged or entangled cords increase the risk of electric shock.
8. **When operating a power tool outdoors, use an extension cord suitable for outdoor use.** Use of a cord suitable for outdoor use reduces the risk of electric shock.

9. **If operating a power tool in a damp location is unavoidable, use a ground fault circuit interrupter (GFCI) protected supply.** Use of an GFCI reduces the risk of electric shock.

Personal safety

10. **Stay alert, watch what you are doing and use common sense when operating a power tool. Do not use a power tool while you are tired or under the influence of drugs, alcohol or medication.** A moment of inattention while operating power tools may result in serious personal injury.
11. **Use personal protective equipment. Always wear eye protection.** Protective equipment such as dust mask, non-skid safety shoes, hard hat, or hearing protection used for appropriate conditions will reduce personal injuries.
12. **Prevent unintentional starting. Ensure the switch is in the off-position before connecting to power source and/or battery pack, picking up or carrying the tool.** Carrying power tools with your finger on the switch or energising power tools that have the switch on invites accidents.
13. **Remove any adjusting key or wrench before turning the power tool on.** A wrench or a key left attached to a rotating part of the power tool may result in personal injury.
14. **Do not overreach. Keep proper footing and balance at all times.** This enables better control of the power tool in unexpected situations.
15. **Dress properly. Do not wear loose clothing or jewellery. Keep your hair, clothing, and gloves away from moving parts.** Loose clothes, jewellery or long hair can be caught in moving parts.
16. **If devices are provided for the connection of dust extraction and collection facilities, ensure these are connected and properly used.** Use of dust collection can reduce dust-related hazards.

Power tool use and care

17. **Do not force the power tool. Use the correct power tool for your application.** The correct power tool will do the job better and safer at the rate for which it was designed.
18. **Do not use the power tool if the switch does not turn it on and off.** Any power tool that cannot be controlled with the switch is dangerous and must be repaired.

19. **Disconnect the plug from the power source and/or the battery pack from the power tool before making any adjustments, changing accessories, or storing power tools.** Such preventive safety measures reduce the risk of starting the power tool accidentally.
20. **Store idle power tools out of the reach of children and do not allow persons unfamiliar with the power tool or these instructions to operate the power tool.** Power tools are dangerous in the hands of untrained users.
21. **Maintain power tools. Check for misalignment or binding of moving parts, breakage of parts and any other condition that may affect the power tool's operation. If damaged, have the power tool repaired before use.** Many accidents are caused by poorly maintained power tools.
22. **Keep cutting tools sharp and clean.** Properly maintained cutting tools with sharp cutting edges are less likely to bind and are easier to control.
23. **Use the power tool, accessories and tool bits etc. in accordance with these instructions, taking into account the working conditions and the work to be performed.** Use of the power tool for operations different from those intended could result in a hazardous situation.

Service

24. **Have your power tool serviced by a qualified repair person using only identical replacement parts.** This will ensure that the safety of the power tool is maintained.
25. **Follow instruction for lubricating and changing accessories.**
26. **Keep handles dry, clean and free from oil and grease.**

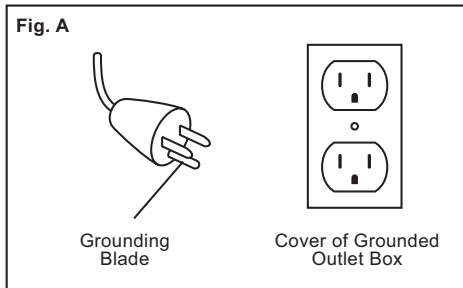
USE PROPER EXTENSION CORD. Use only three-wire extension cords that have three-prong grounding-type plugs and three-pole receptacles that accept the tool's plug. Make sure your extension cord is in good condition. Replace or repair damaged or worn cord immediately. When using an extension cord, be sure to use one heavy enough to carry the current your product will draw. An undersized cord will cause a drop in line voltage resulting in loss of power and overheating. Table 1 shows the correct size to use depending on cord length and nameplate ampere rating. If in doubt, use the next heavier gage. The smaller the gage number, the heavier the cord.

Table 1: Minimum gage for cord

Ampere Rating		Volts	Total length of cord in feet			
		120V	25 ft.	50 ft.	100 ft.	150 ft.
More Than	Not More Than	AWG				
0	6		18	16	16	14
6	10		18	16	14	12
10	12		16	16	14	12
12	16		14	12	Not Recommended	

GROUNDING INSTRUCTIONS:

This tool should be grounded while in use to protect the operator from electric shock. The tool is equipped with a three-conductor cord and three-prong grounding type plug to fit the proper grounding type receptacle. The green (or green and yellow) conductor in the cord is the grounding wire. Never connect the green (or green and yellow) wire to a live terminal. Your unit is for use on 120 volts and has a plug that looks like Fig. "A".



ROUTER SAFETY WARNINGS

1. **Hold power tool by insulated gripping surfaces, because the cutter may contact its own cord.** Cutting a "live" wire may make exposed metal parts of the power tool "live" and shock the operator.
2. **Use clamps or another practical way to secure and support the workpiece to a stable platform.** Holding the work by your hand or against the body leaves it unstable and may lead to loss of control.
3. **Wear hearing protection during extended period of operation.**
4. **Handle the bits very carefully.**
5. **Check the bit carefully for cracks or damage before operation. Replace cracked or damaged bit immediately.**
6. **Avoid cutting nails. Inspect for and remove all nails from the workpiece before operation.**
7. **Hold the tool firmly with both hands.**
8. **Keep hands away from rotating parts.**
9. **Make sure the bit is not contacting the workpiece before the switch is turned on.**


10. Before using the tool on an actual workpiece, let it run for a while. Watch for vibration or wobbling that could indicate improperly installed bit.
11. Be careful of the bit rotating direction and the feed direction.
12. Do not leave the tool running. Operate the tool only when hand-held.
13. Always switch off and wait for the bit to come to a complete stop before removing the tool from workpiece.
14. Do not touch the bit immediately after operation; it may be extremely hot and could burn your skin.
15. Do not smear the tool base carelessly with thinner, gasoline, oil or the like. They may cause cracks in the tool base.
16. Use bits of the correct shank diameter suitable for the speed of the tool.
17. Some material contains chemicals which may be toxic. Take caution to prevent dust inhalation and skin contact. Follow material supplier safety data.
18. Always use the correct dust mask/respirator for the material and application you are working with.

SAVE THESE INSTRUCTIONS.

⚠WARNING: DO NOT let comfort or familiarity with product (gained from repeated use) replace strict adherence to safety rules for the subject product. **MISUSE** or failure to follow the safety rules stated in this instruction manual may cause serious personal injury.

Symbols

The followings show the symbols used for tool.

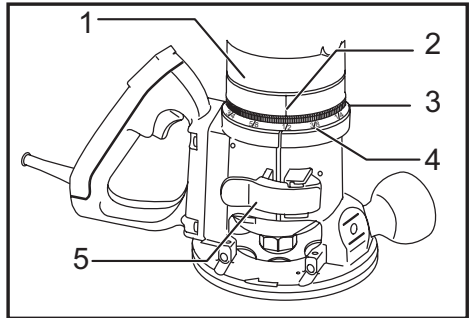
V	volts
A	amperes
Hz	hertz
	alternating current
n_0	no load speed
... /min	revolutions or reciprocation per minute
r/min	

FUNCTIONAL DESCRIPTION

⚠CAUTION:

- Always be sure that the tool is switched off and unplugged before adjusting or checking function on the tool.

Adjusting the depth of cut



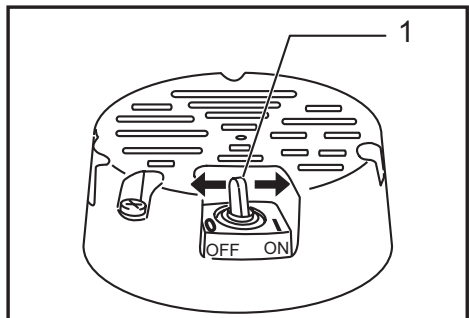
- 1. Motor unit housing 2. Index line 3. Scale ring
4. Graduation 5. Lock lever

Place the tool on a flat wood surface. Open the lock lever. Turn the motor unit until the bit just touches the flat surface. Close the lock lever.

Rotate the scale ring until the zero-line is on the index line on the motor unit. One graduation on the scale ring means the cutting edge of the bit is exposed 1/64" below the base. While holding up the base slightly, open the lock lever and turn the motor unit clockwise until the index line on the motor unit reaches the desired depth indicated on the scale ring. Close the lock lever firmly.

Switch action

For RF1100 and RF1101



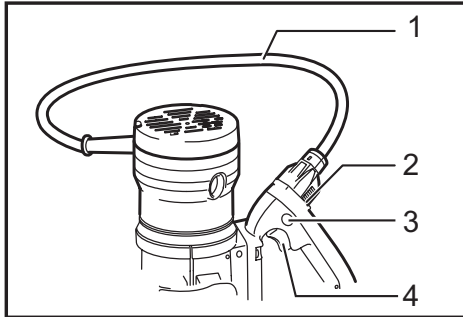
- 1. Switch lever

⚠CAUTION:

- Before plugging in the tool, always check to see that the tool is switched off.
- Switch can be locked in "ON" position for ease of operator comfort during extended use. Apply caution when locking tool in "ON" position and maintain firm grasp on tool.

To start the tool, move the switch lever to the I (ON) position. To stop the tool, move the switch lever to the O (OFF) position.

For model RD1101



- 1. Motor unit cord 2. Outlet 3. Lock button 4. Switch trigger

CAUTION:

- Before plugging in the tool, always check to see that the switch trigger actuates properly and returns to the "OFF" position when released.
- Switch can be locked in "ON" position for ease of operator comfort during extended use. Apply caution when locking tool in "ON" position and maintain firm grasp on tool.

After connecting the motor unit cord to the outlet in the handle, move the switch lever to the "ON" position. To start the tool, simply pull the switch trigger. Release the switch trigger to stop.

For continuous operation, pull the switch trigger and then push in the lock button.

To stop the tool from the locked position, pull the switch trigger fully, then release it.

Speed adjusting dial

For model RF1101 and RD1101 only

The tool speed can be infinitely adjusted between 8,000 and 24,000 rpm by turning the speed adjusting dial on the top of the tool. Higher speed is obtained when the dial is turned in the direction of number 6; lower speed is obtained when it is turned in the direction of number 1.

This allows the ideal speed to be selected for optimum material processing, i.e. the speed can be correctly adjusted to suit the material and bit diameter.

CAUTION:

- If the tool is operated continuously at low speeds for a long time, the motor will get overloaded, resulting in tool malfunction.
- The speed adjusting dial can be turned only as far as 6 and back to 1. Do not force it past 6 or 1, or the speed adjusting function may no longer work.

ASSEMBLY

CAUTION:

- Always be sure that the tool is switched off and unplugged before carrying out any work on the tool.

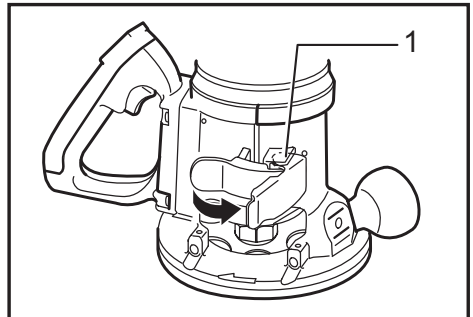
Installing or removing the bit

CAUTION:

- Do not tighten the collet chuck without inserting a bit, or the collet chuck will break.
- When using bit of bigger than 1-1/4" in diameter, install base plate with center hole diameter 2-1/2", replacing the original base plate.

First, remove the motor unit from the base as follows.

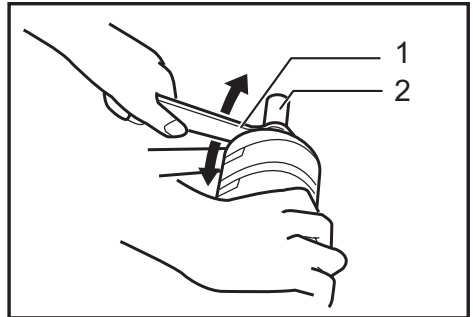
1. Open the lock lever.



- 1. Lock lever

2. While holding the base, turn the motor unit counterclockwise.
3. Turn it until the pin in the base is disengaged from the groove in the motor unit. Lift the motor unit free from the base.

Insert the bit all the way into the collet cone and tighten the collet nut securely with the two wrenches.



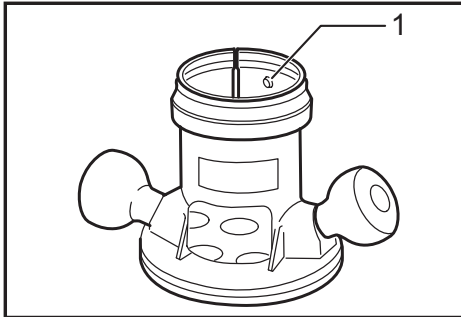
- 1. Wrench 2. Router bit

These routers accommodate the bits with 1/2" diameter shank. When using the 1/4" diameter shank bit, replace the equipped collet chuck with the one for 1/4" diameter shank bit which is provided as the standard accessory. To remove the bit, follow the installation procedure in reverse.

Reinstall the motor unit

Install the motor unit into the base as follows.

1. Open the lock lever.
2. While holding the base, insert the motor unit into the base aligning the pin with the groove in the base.

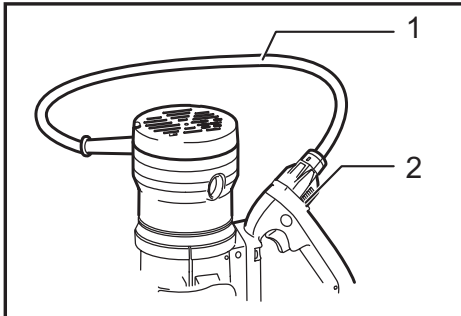


► 1. Pin

3. Confirm that the pin and the groove are aligning. Rotate the motor unit clockwise into the base.
4. Close the lock lever.

For equipped with switch-in-handle

For model RD1101 only

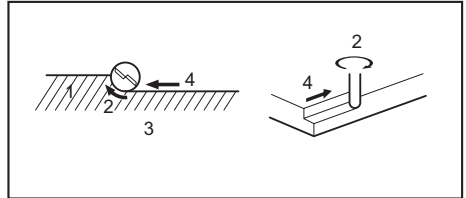


► 1. Motor unit cord 2. Outlet

Connect the motor unit cord to the outlet in the handle.

OPERATION

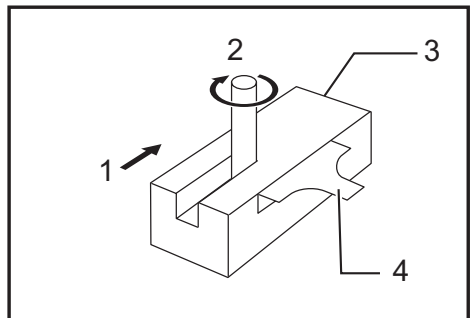
Set the tool base on the workpiece to be cut without the bit making any contact. Then turn the tool on and wait until the bit attains full speed. Move the tool forward over the workpiece surface, keeping the tool base flush and advancing smoothly until the cutting is complete. When doing edge cutting, the workpiece surface should be on the left side of the bit in the feed direction.



► 1. Workpiece 2. Bit revolving direction 3. View from the top of the tool 4. Feed direction

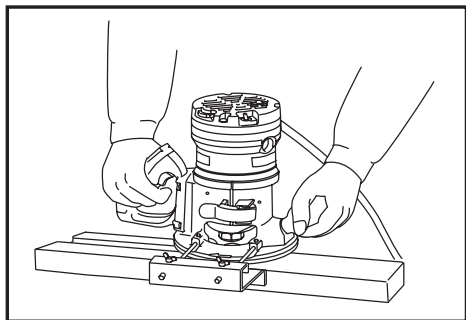
NOTE:

- Moving the tool forward too fast may cause a poor quality of cut, or damage to the bit or motor. Moving the tool forward too slowly may burn and mar the cut. The proper feed rate will depend on the bit size, the kind of workpiece and depth of cut. Before beginning the cut on the actual workpiece, it is advisable to make a sample cut on a piece of scrap lumber. This will show exactly how the cut will look as well as enable you to check dimensions.
- When using the straight guide, be sure to install it on the right side in the feed direction. This will help to keep it flush with the side of the workpiece.

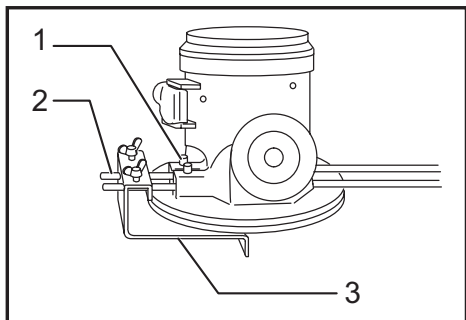


► 1. Feed direction 2. Bit revolving direction 3. Workpiece 4. Straight guide

Straight guide (optional accessory)



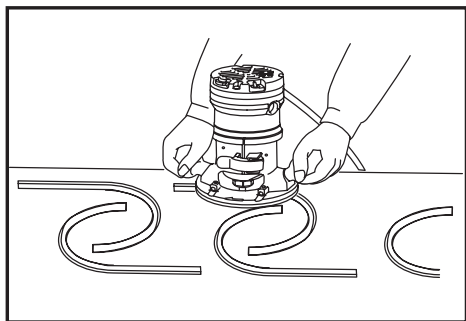
The straight guide is effectively used for straight cuts when chamfering or grooving. To install the straight guide, insert the guide bars into the holes in the tool base. Adjust the distance between the bit and the straight guide. At the desired distance, tighten the hex socket bolts to secure the straight guide in place.



► 1. Hex socket bolts 2. Guide bar 3. Straight guide

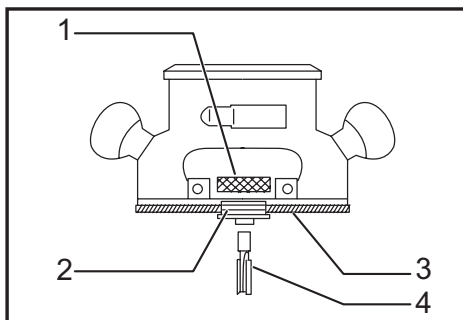
When cutting, move the tool with the straight guide flush with the side of the workpiece.

Templet guide (optional accessory)



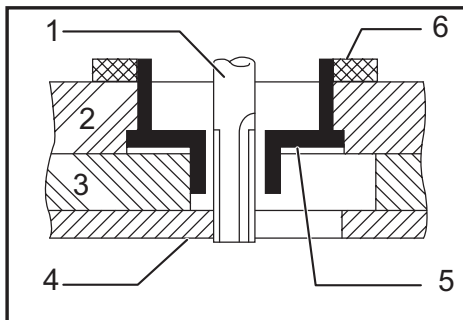
The templet guide provides a sleeve through which the bit passes, allowing use of the tool with templet patterns.

To install the templet guide, insert the templet guide in center hole in the base plate and secure in place with the lock nut.



► 1. Lock nut 2. Templet guide 3. Base plate 4. Router bit

Secure the templet to the workpiece. Place the tool on the templet and move the tool with the templet guide sliding along the side of the templet.



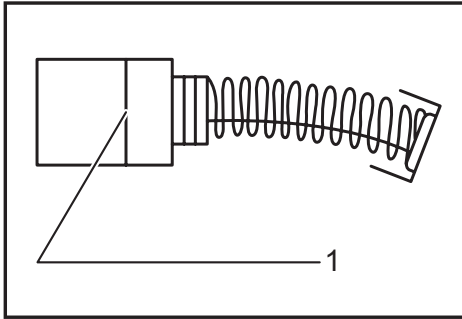
► 1. Router bit 2. Base 3. Templet 4. Workpiece 5. Templet guide 6. Lock nut

MAINTENANCE

⚠ CAUTION:

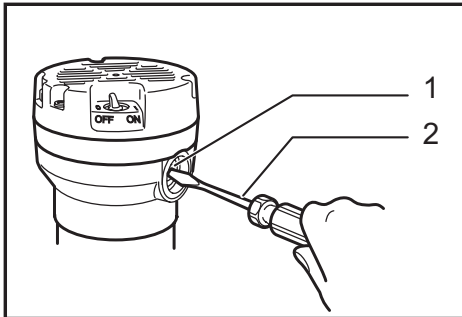
- Always be sure that the tool is switched off and unplugged before attempting to perform inspection or maintenance.
- Never use gasoline, benzine, thinner, alcohol or the like. Discoloration, deformation or cracks may result.

Replacing carbon brushes



► 1. Limit mark

Remove and check the carbon brushes regularly. Replace when they wear down to the limit mark. Keep the carbon brushes clean and free to slip in the holders. Both carbon brushes should be replaced at the same time. Use only identical carbon brushes. Use a screwdriver to remove the brush holder caps. Take out the worn carbon brushes, insert the new ones and secure the brush holder caps.



► 1. Brush holder cap 2. Screwdriver

To maintain product SAFETY and RELIABILITY, repairs, any other maintenance or adjustment should be performed by Makita Authorized or Factory Service Centers, always using Makita replacement parts.

OPTIONAL ACCESSORIES

⚠ CAUTION:

- These accessories or attachments are recommended for use with your Makita tool specified in this manual. The use of any other accessories or attachments might present a risk of injury to persons. Only use accessory or attachment for its stated purpose.

If you need any assistance for more details regarding these accessories, ask your local Makita Service Center.

- Straight & groove forming bits
- Edge forming bits
- Laminate trimming bits

- Straight guide
- Templet guides
- Lock nut
- Clear base plate (Center hole 2-1/2")
- Wrench 27

NOTE:

- Some items in the list may be included in the tool package as standard accessories. They may differ from country to country.

MAKITA LIMITED WARRANTY

Please refer to the annexed warranty sheet for the most current warranty terms applicable to this product. If annexed warranty sheet is not available, refer to the warranty details set forth at below website for your respective country.

United States of America: www.makitatools.com

Canada: www.makita.ca

Other countries: www.makita.com

SPÉCIFICATIONS

Modèle	RF1100	RF1101	RD1101
Capacité du mandrin à bague	1/2" et 1/4"		
Vitesse à vide (T/MIN)	24 000 /min	8 000 - 24 000 /min	8 000 - 24 000 /min
Hauteur hors tout	223 mm (8-3/4")		
Poids net	3,3 kg (7,2 lbs)		3,3 kg (7,3 lbs)

- Étant donné l'évolution constante de notre programme de recherche et de développement, les spécifications contenues dans ce manuel sont sujettes à modification sans préavis.
- Les spécifications peuvent varier suivant les pays.
- Poids conforme à la procédure EPTA du 01/2003

Consignes de sécurité générales pour outils électriques

⚠ MISE EN GARDE Veuillez lire toutes les mises en garde de sécurité et toutes les instructions. L'ignorance des mises en garde et des instructions comporte un risque de choc électrique, d'incendie et/ou de blessure grave.

Conservez toutes les mises en garde et instructions pour référence future.

Le terme « outil électrique » qui figure dans les avertissements fait référence à un outil électrique branché sur une prise de courant (par un cordon d'alimentation) ou alimenté par batterie (sans fil).

Sécurité de la zone de travail

1. **Maintenez la zone de travail propre et bien éclairée.** Les zones de travail encombrées ou sombres ouvrent grande la porte aux accidents.
2. **N'utilisez pas les outils électriques dans les atmosphères explosives, par exemple en présence de liquides, gaz ou poussières inflammables.** Les outils électriques produisent des étincelles au contact desquelles la poussière ou les vapeurs peuvent s'enflammer.
3. **Assurez-vous qu'aucun enfant ou curieux ne s'approche pendant que vous utilisez un outil électrique.** Vous risquez de perdre la maîtrise de l'outil si votre attention est détournée.

Sécurité en matière d'électricité

4. **Les fiches d'outil électrique sont conçues pour s'adapter parfaitement aux prises de courant. Ne modifiez jamais la fiche de quelque façon que ce soit. N'utilisez aucun adaptateur de fiche sur les outils électriques avec mise à la terre.** En ne modifiant pas les fiches et en les insérant dans des prises de courant pour lesquelles elles ont été conçues vous réduirez les risques de choc électrique.
5. **Évitez tout contact corporel avec les surfaces mises à la terre, telles que les tuyaux, radiateurs, cuisinières et réfrigérateurs.** Le risque de choc électrique est plus élevé si votre corps se trouve mis à la terre.

6. **N'exposez pas les outils électriques à la pluie ou à l'eau.** La présence d'eau dans un outil électrique augmente le risque de choc électrique.
7. **Ne maltraitez pas le cordon. N'utilisez jamais le cordon pour transporter, tirer ou débrancher l'outil électrique. Maintenez le cordon à l'écart des sources de chaleur, de l'huile, des objets à bords tranchants et des pièces en mouvement.** Le risque de choc électrique est plus élevé lorsque les cordons sont endommagés ou enchevêtrés.
8. **Lorsque vous utilisez un outil électrique à l'extérieur, utilisez un cordon prolongateur prévu à cette fin.** Les risques de choc électrique sont moindres lorsqu'un cordon conçu pour l'extérieur est utilisé.
9. **Si vous devez utiliser un outil électrique dans un endroit humide, utilisez une source d'alimentation protégée par un disjoncteur de fuite à la terre.** L'utilisation d'un disjoncteur de fuite à la terre réduit le risque de choc électrique.

Sécurité personnelle

10. **Restez alerte, attentif à vos mouvements et faites preuve de bon sens lorsque vous utilisez un outil électrique. Évitez d'utiliser un outil électrique si vous êtes fatigué ou si vous avez pris une drogue, de l'alcool ou un médicament.** Un moment d'inattention pendant l'utilisation d'un outil électrique peut entraîner une grave blessure.
11. **Portez des dispositifs de protection personnelle. Portez toujours un protecteur pour la vue.** Les risques de blessure seront moins élevés si vous utilisez des dispositifs de protection tels qu'un masque antipoussières, des chaussures à semelle antidérapante, une coiffure résistante ou une protection d'oreilles.
12. **Évitez les démarrages accidentels. Assurez-vous que l'interrupteur est en position d'arrêt avant de brancher l'outil et/ou d'insérer la batterie, ainsi qu'avant de saisir ou de transporter l'outil.** Vous ouvrez la porte aux accidents si vous transportez les outils électriques avec le doigt sur l'interrupteur ou laissez l'interrupteur en position de marche avant de mettre l'outil sous tension.
13. **Retirez toute clé de réglage ou de serrage avant de mettre l'outil sous tension.** Toute clé laissée en place sur une pièce rotative de l'outil électrique peut entraîner une blessure.

14. **Maintenez une bonne position. Assurez-vous d'une bonne prise au sol et d'une bonne position d'équilibre en tout temps.** Cela vous permettra d'avoir une meilleure maîtrise de l'outil dans les situations imprévues.
15. **Portez des vêtements adéquats. Ne portez ni vêtements amples ni bijoux. Vous devez maintenir cheveux, vêtements et gants à l'écart des pièces en mouvement.** Les pièces en mouvement peuvent happer les vêtements amples, les bijoux et les cheveux longs.
16. **Si des accessoires sont fournis pour raccorder un appareil d'aspiration et de collecte de la poussière, assurez-vous qu'ils sont correctement raccordés et qu'ils sont utilisés de manière adéquate.** L'utilisation d'un appareil d'aspiration permet de réduire les risques liés à la présence de poussière dans l'air.
21. **Veillez à l'entretien des outils électriques. Assurez-vous que les pièces mobiles ne sont pas désalignées ou coincées, qu'aucune pièce n'est cassée et que l'outil électrique n'a subi aucun dommage affectant son bon fonctionnement. Le cas échéant, faites réparer l'outil électrique avant de l'utiliser.** De nombreux accidents sont causés par des outils électriques mal entretenus.
22. **Maintenez les outils tranchants bien aiguisés et propres.** Un outil tranchant dont l'entretien est effectué correctement et dont les bords sont bien aiguisés risquera moins de se coincer et sera plus facile à maîtriser.
23. **Utilisez l'outil électrique, ses accessoires, ses embouts, etc., en respectant les présentes instructions, en tenant compte des conditions de travail et du type de travail à effectuer.** L'utilisation d'un outil électrique à des fins autres que celles prévues peut entraîner une situation dangereuse.

Utilisation et entretien des outils électriques

17. **Ne forcez pas l'outil électrique. Utilisez l'outil électrique adéquat suivant le type de travail à effectuer.** Si vous utilisez l'outil électrique adéquat et respectez le régime pour lequel il a été conçu, il effectuera un travail de meilleure qualité et de façon plus sécuritaire.
18. **N'utilisez pas l'outil électrique s'il n'est pas possible de mettre sa gâchette en position de marche et d'arrêt.** Un outil électrique dont l'interrupteur est défectueux représente un danger et doit être réparé.
19. **Débranchez la fiche de la source d'alimentation et/ou retirez le bloc-piles de l'outil électrique avant d'effectuer tout réglage, de changer un accessoire ou de ranger l'outil électrique.** De telles mesures préventives réduisent les risques de démarrage accidentel de l'outil électrique.
20. **Après l'utilisation d'un outil électrique, rangez-le hors de portée des enfants et ne laissez aucune personne l'utiliser si elle n'est pas familiarisée avec l'outil électrique ou les présentes instructions d'utilisation.** Les outils électriques représentent un danger entre les mains de personnes qui n'en connaissent pas le mode d'utilisation.

Réparation

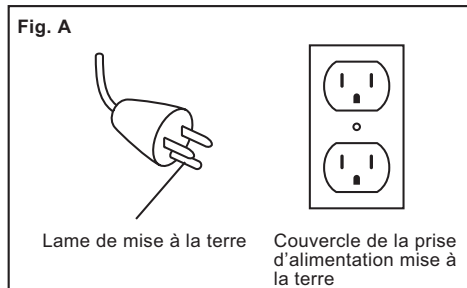
24. **Faites réparer votre outil électrique par un réparateur qualifié qui utilise des pièces de rechange identiques aux pièces d'origine.** Le maintien de la sûreté de l'outil électrique sera ainsi assuré.
25. **Suivez les instructions de lubrification et de changement des accessoires.**
26. **Maintenez les poignées de l'outil sèches, propres et exemptes d'huile ou de graisse.**
UTILISEZ UN CORDON PROLONGATEUR ADÉQUAT. N'utilisez que les cordons prolongateurs à trois fils et munis d'une fiche tripolaire, ainsi que des prises tripolaires adaptées à la fiche de l'outil. Assurez-vous que le cordon prolongateur est en bon état. Remplacez ou réparez sans tarder tout cordon endommagé ou usé. Lors de l'utilisation d'un cordon prolongateur, utilisez sans faute un cordon assez gros pour conduire le courant dont l'outil a besoin. Un cordon trop petit provoquera une baisse de tension de secteur, résultant en une perte de puissance et une surchauffe. Le Tableau 1 indique la dimension appropriée de cordon selon sa longueur et selon l'intensité nominale indiquée sur la plaque signalétique. En cas de doute sur un cordon donné, utilisez le cordon suivant (plus gros). Plus le numéro de gabarit indiqué est petit, plus le cordon est gros.

Tableau 1. Gabarit minimum du cordon

Intensité nominale		Volts	Longueur totale du cordon en pieds			
		120 V	25 pi	50 pi	100 pi	150 pi
Plus de	Pas plus de	Calibre américain des fils				
0	6		18	16	16	14
6	10		18	16	14	12
10	12		16	16	14	12
12	16		14	12	Non recommandé	

INSTRUCTIONS DE MISE À LA TERRE :

Cet outil doit être mis à la terre pendant l'utilisation pour protéger l'utilisateur contre l'électrocution. L'outil est doté d'un cordon à trois fils conducteurs et d'une fiche tripolaire à brancher sur une prise tripolaire adéquate. Le fil conducteur vert (ou vert et jaune) du cordon est le fil de terre. Ne connectez jamais le fil vert (ou vert et jaune) à une borne sous tension. L'appareil est conçu pour être alimenté par un courant de 120 volts et est doté d'une fiche comme celle de l'illustration « A ».



CONSIGNES DE SÉCURITÉ POUR LA DÉFONCEUSE

1. Tenez l'outil électrique par ses surfaces de prise isolées, car le couteau pourrait venir en contact avec son propre cordon. Si un conducteur sous tension était coupé, les pièces métalliques à découvert de l'outil pourraient devenir sous tension et risqueraient de transmettre une décharge électrique à l'utilisateur.
2. Immobilisez le matériau sur une surface stable au moyen de brides ou de toute autre façon adéquate. Le fait de tenir la pièce avec la main ou contre votre corps offre une stabilité insuffisante et peut entraîner une perte de maîtrise de l'outil.
3. Portez une protection d'oreille lors des travaux de longue durée.
4. Maniez les fraises avec soin.
5. Vérifiez bien l'absence de fissures ou de dommages sur la fraise avant l'utilisation. Remplacez immédiatement toute fraise fissurée ou endommagée.
6. Évitez les clous. Avant de travailler votre pièce, inspectez-la et retirez-en tous les clous.
7. Tenez l'outil fermement à deux mains.
8. Gardez les mains éloignées des pièces en rotation.
9. Assurez-vous que la lame ne touche pas la pièce à travailler avant que le contact ne soit mis.
10. Avant de commencer à travailler, laissez tourner l'outil à vide un instant ; assurez-vous qu'il n'y a ni vibration ni ballonnement, ce qui indiquerait une fraise mal fixée.
11. Vérifiez toujours le sens de rotation de la fraise et le sens de déplacement de l'outil.
12. N'abandonnez pas l'outil alors qu'il tourne. Ne faites fonctionner l'outil qu'une fois que vous l'avez bien en main.

13. Avant de retirer l'outil de la pièce, coupez toujours le contact et attendez que la fraise soit complètement arrêtée.
14. Ne touchez pas la fraise immédiatement après son arrêt ; elle peut être extrêmement chaude et pourrait vous brûler.
15. Veillez à maintenir la base de l'outil à l'écart des produits tels que du diluant, de l'essence ou de l'huile. Ils peuvent causer des fissures sur la base de l'outil.
16. Utilisez des fraises dont la queue présente un diamètre adéquat pour la vitesse de l'outil.
17. Certains matériaux contiennent des produits chimiques qui peuvent être toxiques. Prenez les précautions nécessaires pour éviter l'inhalation de ces poussières ou leur contact avec la peau. Conformez-vous aux consignes de sécurité du fournisseur du matériau.
18. Utilisez toujours un masque antipoussières ou un masque filtrant approprié au matériau à travailler et à l'outil utilisé.

CONSERVEZ CE MODE D'EMPLOI.

⚠ MISE EN GARDE : NE VOUS LAISSEZ PAS tromper (au fil d'une utilisation répétée) par un sentiment d'aisance ou de familiarité avec le produit en négligeant les consignes de sécurité qui accompagnent le produit. L'utilisation non sécuritaire ou incorrecte de cet outil comporte un risque de blessure grave.

Symboles

Les symboles utilisés pour l'outil sont indiqués ci-dessous.

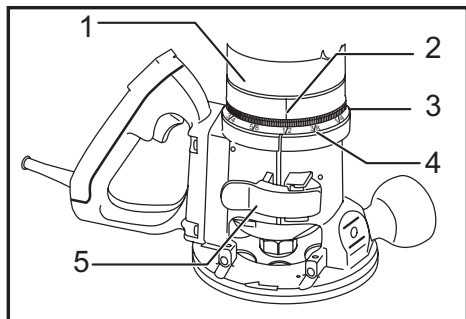
V	volts
A	ampères
Hz	hertz
	courant alternatif
n _o	vitesse à vide
... /min	tours ou alternances par minute
r /min	

DESCRIPTION DU FONCTIONNEMENT

⚠ ATTENTION :

- Assurez-vous toujours que l'outil est hors tension et débranché avant de l'ajuster ou de vérifier son fonctionnement.

Réglage de la profondeur de coupe



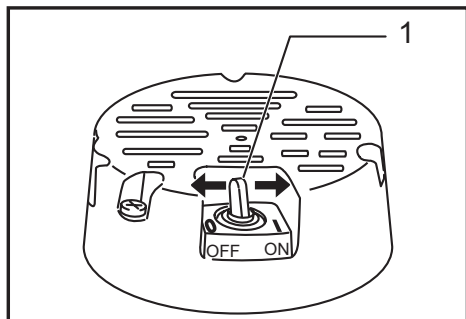
- 1. Boîtier du moteur 2. Ligne d'index 3. Bague graduée 4. Graduation 5. Levier de verrouillage

Posez l'outil sur une surface de bois plane. Ouvrez le levier de verrouillage. Tournez le moteur jusqu'à ce que la fraise touche la surface plane. Fermez le levier de verrouillage.

Tournez la bague graduée jusqu'à ce que la ligne zéro, sur la ligne d'index, se trouve sur le moteur. Une graduation sur la bague graduée signifie que la face de coupe de la fraise dépasse de 1/64" sous la base. Tout en soulevant légèrement la base, ouvrez le levier de verrouillage et tournez le moteur dans le sens des aiguilles d'une montre jusqu'à ce que la ligne d'index du moteur atteigne la profondeur désirée (indiquée sur la bague graduée). Fermez le levier de verrouillage fermement.

Interrupteur

Pour RF1100 et RF1101



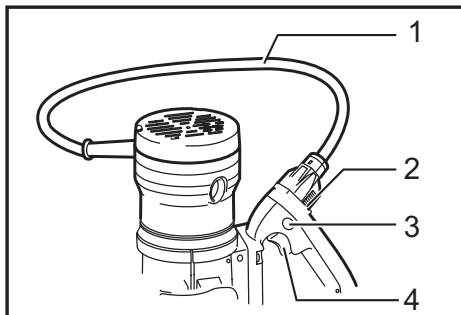
- 1. Levier de l'interrupteur

⚠ ATTENTION :

- Avant de brancher l'outil, vérifiez toujours que l'outil est hors tension.
- Pour rendre le travail de l'utilisateur plus confortable lors d'une utilisation prolongée, l'interrupteur peut être verrouillé en position de marche. Soyez prudent lorsque vous verrouillez l'outil en position de marche, et maintenez une poignée solide sur l'outil.

Pour démarrer l'outil, poussez le levier d'interrupteur du côté I (ON). Pour l'arrêter, poussez le du côté O (OFF).

Pour RD1101



- 1. Cordon du moteur 2. Prise 3. Bouton de verrouillage 4. Gâchette

⚠ ATTENTION :

- Avant de brancher l'outil, assurez-vous toujours que la gâchette fonctionne correctement et revient en position d'arrêt une fois relâchée.
- Pour rendre le travail de l'utilisateur plus confortable lors d'une utilisation prolongée, l'interrupteur peut être verrouillé en position de marche. Soyez prudent lorsque vous verrouillez l'outil en position de marche, et maintenez une poignée solide sur l'outil.

Après avoir connecté le cordon du moteur sur la prise intégrée à la poignée, déplacez le levier inverseur sur la position "ON". Pour faire démarrer l'outil, appuyez simplement sur la gâchette. Pour l'arrêter, relâchez la gâchette. Pour une utilisation continue, tirez sur la gâchette et appuyez sur le bouton de verrouillage. Pour arrêter l'outil alors qu'il est en position verrouillée, tirez à fond sur la gâchette puis relâchez-la.

Cadran de réglage de vitesse

Pour les modèles RF1101 et RD1101 uniquement

En tournant le cadran de réglage de la vitesse sur le dessus de l'outil, il est possible d'ajuster la vitesse de l'outil sur toute valeur située entre 8,000 et 24,000 tours par minute. Une vitesse supérieure s'obtient en tournant le cadran vers le numéro 6, et une vitesse inférieure en le tournant vers le numéro 1.

Cela permet de sélectionner la vitesse idéale d'usinage en fonction du matériau et du diamètre de la fraise.

ATTENTION :

- Si l'outil est utilisé de manière continue à vitesse réduite sur une période prolongée, le moteur sera surchargé et cela entraînera un mauvais fonctionnement de l'outil.
- Le cadran de réglage de la vitesse ne peut pas dépasser le 6 et le 1. Ne le forcez pas à dépasser le 6 ou le 1, sinon la fonction de réglage de la vitesse risque de ne plus fonctionner.

ASSEMBLAGE

ATTENTION :

- Avant d'effectuer toute intervention sur l'outil, assurez-vous toujours qu'il est hors tension et débranché.

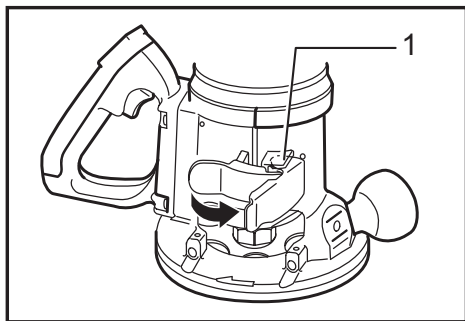
Installation et retrait du foret

ATTENTION :

- Ne serrez pas le mandrin à bague sans avoir d'abord inséré une fraise, autrement vous cassez le mandrin à bague.
- Pour utiliser une fraise dont le diamètre est supérieur à 1-1/4", remplacez la plaque de base initiale par celle dont l'orifice central a un diamètre de 2-1/2".

D'abord, procédez comme suit pour retirer le moteur de la base.

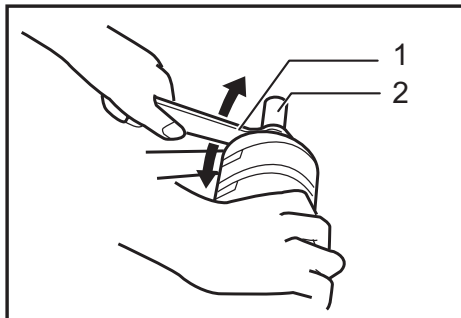
1. Ouvrez le levier de verrouillage.



1. Levier de verrouillage

2. Tout en tenant la base, tournez le moteur dans le sens contraire des aiguilles d'une montre.
3. Tournez-le jusqu'à ce que la broche de la base sorte de la rainure du moteur. Soulevez le moteur pour le libérer de la base.

Insérez la fraise à fond dans le cône du mandrin et serrez bien l'écrou de mandrin à l'aide des deux clés.



1. Clé 2. Fraise de toupilleuse

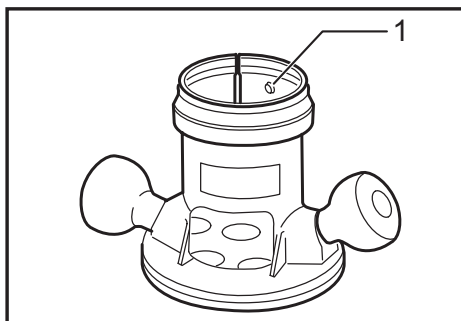
Ces toupilleuses acceptent des fraises avec une queue d'un diamètre de 1/2". Pour utiliser une fraise dont la queue a un diamètre de 1/4", remplacez le mandrin à bague préinstallé par celui fourni en équipement standard pour les fraises dont la queue a un diamètre de 1/4".

Pour retirer la fraise, procédez dans l'ordre inverse.

Remettre le moteur en place

Procédez comme suit pour mettre le moteur en place dans la base.

1. Ouvrez le levier de verrouillage.
2. Tout en tenant la base, insérez le moteur dans cette dernière en alignant la broche sur la rainure de la base.

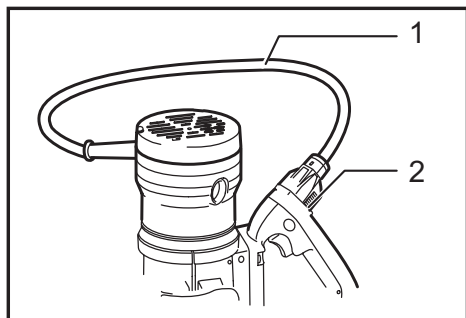


1. Broche

3. Vérifiez que la broche et la rainure sont bien alignées. Tournez le moteur dans le sens des aiguilles d'une montre pour l'insérer dans la base.
4. Fermez le levier de verrouillage.

Pour les outils équipés d'une poignée à interrupteur

Pour les modèle RD1101 uniquement

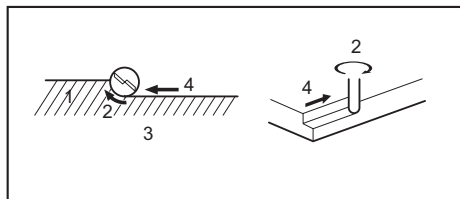


► 1. Cordon du moteur 2. Prise

Connectez le cordon du moteur dans la prise de la poignée.

UTILISATION

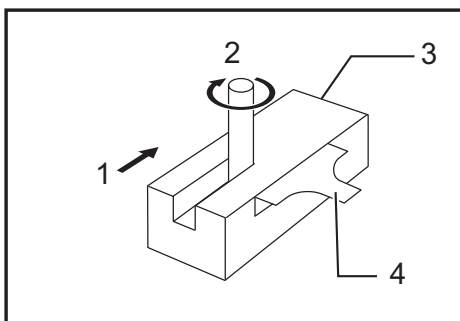
Poser l'embase de l'outil sur la pièce à travailler sans que la fraise touche quoi que ce soit. Mettez ensuite le contact et attendez que la fraise ait atteint sa pleine vitesse. Déplacez l'outil vers l'avant sur la surface de la pièce à travailler, en maintenant l'embase bien à plat et en progressant doucement jusqu'à l'extrémité du tracé. Quand vous faites une coupe sur rebord, la surface de la pièce doit être du côté gauche de la fraise dans le sens de progression de l'outil.



► 1. Pièce 2. Sens de rotation du foret 3. Vu à partir du haut de l'outil 4. Sens d'alimentation

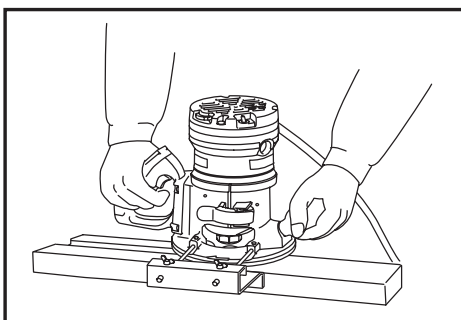
NOTE :

- Si vous déplacez votre outil trop vite vers l'avant, vous risquez d'obtenir une coupe de qualité médiocre et d'endommager la fraise ou le moteur. Si vous allez trop lentement, vous risquez de brûler la pièce et de gâcher la coupe. La vitesse de progression adéquate dépend du calibre de la fraise, de la nature de la pièce et de la profondeur de coupe. Avant de commencer votre coupe sur la pièce, nous vous conseillons de faire un essai sur un morceau de chute de bois. Cela vous montrera exactement l'allure qu'aura votre coupe et vous permettra de vérifier les dimensions.
- Quand vous utilisez le guide de coupe rectiligne, veillez à l'installer du côté droit dans le sens de progression de l'outil. Il sera ainsi plus facile de la garder bien au contact sur le côté de la pièce.

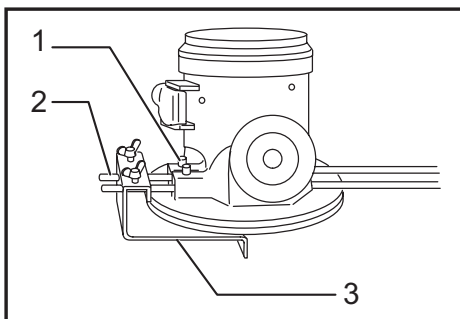


► 1. Sens d'alimentation 2. Sens de rotation du foret
3. Pièce 4. Guide de coupe rectiligne

Guide de coupe rectiligne (accessoire en option)



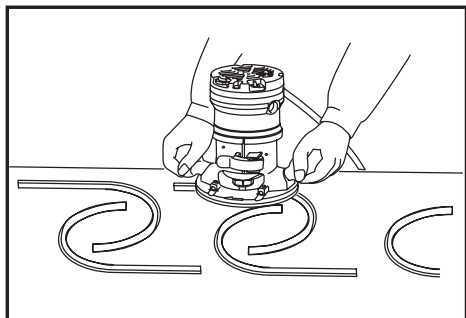
Le guide de coupe rectiligne est efficace pour obtenir des coupes droites quand vous chanfreinez ou rainez. Pour installer le guide de coupe rectiligne, insérez les barres de guidage dans les orifices de la base de l'outil. Ajustez la distance entre la fraise et le guide de coupe rectiligne. Une fois la distance désirée obtenue, serrez les boulons à douille hexagonale pour immobiliser le guide de coupe rectiligne.



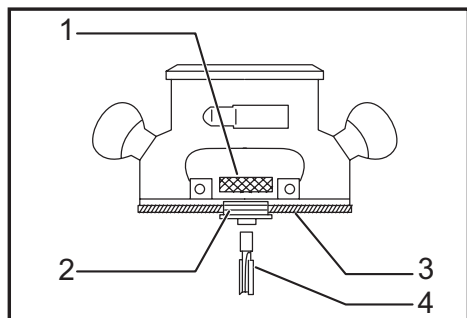
► 1. Boulons à douille hexagonale 2. Guide-chaîne
3. Guide de coupe rectiligne

Quand vous coupez, déplacez l'outil en maintenant le guide en appui avec le côté de la pièce à travailler.

Guide de gabarit (accessoire en option)

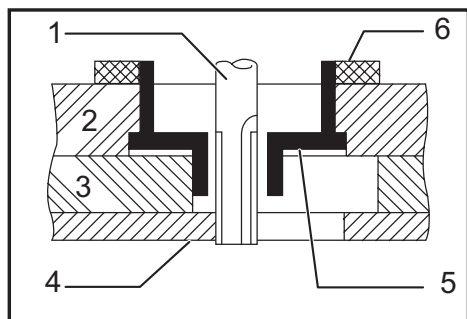


Le guide de gabarit présente un manchon à travers lequel passe la fraise, permettant d'utiliser l'outil pour la reproduction exacte d'un modèle donné. Pour installer le guide de gabarit, insérez-le dans l'orifice central de la plaque de base et immobilisez-le avec le contre-écrou.



► 1. Contre-écrou 2. Guide de gabarit 3. Plaque de base 4. Fraise de toupilleuse

Fixez le gabarit sur la pièce. Placez l'outil sur le gabarit et déplacez-le en faisant glisser le guide de gabarit le long du côté du gabarit.



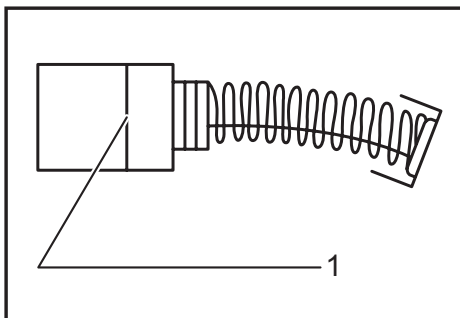
► 1. Fraise de toupilleuse 2. Base 3. Gabarit 4. Pièce 5. Guide de gabarit 6. Contre-écrou

ENTRETIEN

⚠ ATTENTION :

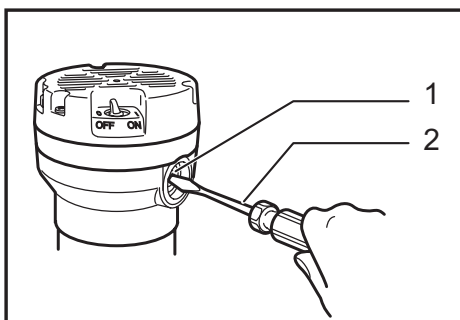
- Assurez-vous toujours que l'outil est hors tension et débranché avant d'y effectuer tout travail d'inspection ou d'entretien.
- N'utilisez jamais d'essence, de benzine, de solvant, d'alcool ou d'autres produits similaires. Une décoloration, une déformation, ou la formation de fissures peuvent en découler.

Remplacement des charbons



► 1. Trait de limite d'usure

Retirez et vérifiez régulièrement les charbons. Remplacez-les lorsqu'ils sont usés jusqu'au trait de limite d'usure. Maintenez les charbons propres et en état de glisser aisément dans les porte-charbon. Les deux charbons doivent être remplacés en même temps. N'utilisez que des charbons identiques. Utilisez un tournevis pour retirer les bouchons de porte-charbon. Enlevez les charbons usés, insérez-en de nouveaux et revissez solidement les bouchons de porte-charbon.



► 1. Bouchon de porte-charbon 2. Tournevis

Pour maintenir la SÉCURITÉ et la FIABILITÉ du produit, les réparations, tout autre travail d'entretien ou de réglage doivent être effectués dans un centre de service Makita agréé ou un centre de service de l'usine Makita, exclusivement avec des pièces de rechange Makita.

ACCESSOIRES EN OPTION

⚠ ATTENTION :

- Ces accessoires ou pièces complémentaires sont recommandés pour l'utilisation avec l'outil Makita spécifié dans ce mode d'emploi. L'utilisation de tout autre accessoire ou pièce complémentaire peut comporter un risque de blessure. N'utilisez les accessoires ou pièces qu'aux fins auxquelles ils ont été conçus.

Si vous désirez obtenir plus de détails concernant ces accessoires, veuillez contacter le centre de service après-vente Makita le plus près.

- Fraises pour coupes rectilignes et rainures
- Fraises pour rebord
- Fraises pour affleurage de stratifié
- Guide de coupe rectiligne
- Guides de gabarit
- Contre-écrou
- Plaque de base (orifice central de 2-1/2")
- Clé 27

NOTE :

- Certains éléments de la liste peuvent être inclus avec l'outil comme accessoires standard. Ils peuvent varier suivant les pays.

GARANTIE LIMITÉE MAKITA

Pour les conditions de garantie en vigueur qui s'appliquent à ce produit, veuillez vous reporter à la feuille de garantie en annexe. Si la feuille de garantie en annexe n'est pas disponible, reportez-vous aux détails de la garantie présentés sur le site Web de votre pays, ci-dessous.

États-Unis d'Amérique: www.makitatools.com

Canada: www.makita.ca

Autres pays: www.makita.com

ESPECIFICACIONES

Modelo	RF1100	RF1101	RD1101
Especificaciones eléctricas en México	120 V~ 11 A 50/60 Hz		
Diámetro de la pinza de sujeción	1/2" y 1/4"		
Velocidad sin carga (r.p.m.)	24 000 r/min	8 000 - 24 000 r/min	8 000 - 24 000 r/min
Altura total	223 mm (8-3/4")		
Peso neto	3,3 kg (7,2 lbs)		3,3 kg (7,3 lbs)

- Debido a nuestro programa continuo de investigación y desarrollo, las especificaciones aquí dadas están sujetas a cambios sin previo aviso.
- Las especificaciones pueden ser diferentes de país a país.
- Peso de acuerdo al procedimiento de EPTA-01/2003

Advertencias de seguridad generales para herramientas eléctricas

⚠ADVERTENCIA: lea todas las advertencias de seguridad e instrucciones. Si no sigue todas las advertencias e instrucciones indicadas a continuación, podrá ocasionar una descarga eléctrica, un incendio y/o lesiones graves.

Guarde todas las advertencias e instrucciones para su futura referencia.

El término "herramienta eléctrica" se refiere, en todas las advertencias que aparecen a continuación, a su herramienta eléctrica de funcionamiento con conexión a la red eléctrica (con cableado eléctrico) o herramienta eléctrica de funcionamiento a batería (inalámbrica).

Seguridad en el área de trabajo

1. **Mantenga el área de trabajo limpia y bien iluminada.** Las áreas oscuras o desordenadas son propensas a accidentes.
2. **No utilice las herramientas eléctricas en atmósferas explosivas, tal como en la presencia de líquidos, gases o polvo inflamables.** Las herramientas eléctricas crean chispas que pueden prender fuego al polvo o los humos.
3. **Mantenga a los niños y curiosos alejados mientras utiliza una herramienta eléctrica.** Las distracciones le pueden hacer perder el control.

Seguridad eléctrica

4. **Las clavijas de conexión de las herramientas eléctricas deberán encajar perfectamente en la toma de corriente. No modifique nunca la clavija de conexión de ninguna forma. No utilice ninguna clavija adaptadora con herramientas eléctricas que tengan conexión a tierra (puesta a tierra).** La utilización de clavijas no modificadas y que encajen perfectamente en la toma de corriente reducirá el riesgo de que se produzca una descarga eléctrica.
5. **Evite tocar con el cuerpo superficies conectadas a tierra o puestas a tierra tales como tubos, radiadores, cocinas y refrigeradores.** Si su cuerpo es puesto a tierra o conectado a tierra existirá un mayor riesgo de que sufra una descarga eléctrica.

6. **No exponga las herramientas eléctricas a la lluvia ni a condiciones húmedas.** La entrada de agua en una herramienta eléctrica aumentará el riesgo de que se produzca una descarga eléctrica.
7. **No jale el cable. Nunca utilice el cable para transportar, jalar o desconectar la herramienta eléctrica. Mantenga el cable alejado del calor, aceite, objetos cortantes o piezas móviles.** Los cables dañados o atrapados aumentan el riesgo de sufrir una descarga eléctrica.
8. **Cuando utilice una herramienta eléctrica en exteriores, utilice un cable de extensión apropiado para uso en exteriores.** La utilización de un cable apropiado para uso en exteriores reducirá el riesgo de que se produzca una descarga eléctrica.
9. **Si no es posible evitar usar una herramienta eléctrica en condiciones húmedas, utilice un alimentador protegido con interruptor de circuito de falla en tierra (ICFT).** El uso de un ICFT reduce el riesgo de descarga eléctrica.

Seguridad personal

10. **Manténgase alerta, preste atención a lo que está haciendo y utilice su sentido común cuando opere una herramienta eléctrica. No utilice la herramienta eléctrica cuando esté cansado o bajo la influencia de drogas, alcohol o medicamentos.** Un momento de distracción mientras opera la máquina puede dar como resultado heridas personales graves.
11. **Use equipo de protección personal. Póngase siempre protección para los ojos.** El equipo protector tal como máscara contra el polvo, zapatos de seguridad antiderrapantes, casco rígido y protección para oídos utilizado en las condiciones apropiadas reducirá las heridas personales.
12. **Impida el encendido accidental. Asegúrese de que el interruptor esté en la posición de apagado antes de conectar a la alimentación eléctrica y/o de colocar el cartucho de la batería, así como al levantar o cargar la herramienta.** Cargar las herramientas eléctricas con su dedo en el interruptor o conectarlas con el interruptor encendido hace que los accidentes sean propensos.

13. **Retire cualquier llave de ajuste o llave de apriete antes de encender la herramienta.** Una llave de ajuste o llave de apriete que haya sido dejada puesta en una parte giratoria de la herramienta eléctrica podrá resultar en heridas personales.
14. **No utilice la herramienta donde no alcance. Mantenga los pies sobre suelo firme y el equilibrio en todo momento.** Esto permite un mejor control de la herramienta eléctrica en situaciones inesperadas.
15. **Use vestimenta apropiada. No use ropas sueltas ni joyas. Mantenga el cabello, la ropa y los guantes alejados de las piezas móviles.** Las prendas de vestir holgadas, las joyas y el cabello suelto podrían engancharse en estas piezas móviles.
16. **Si dispone de dispositivos para la conexión de equipos de extracción y recolección de polvo, asegúrese de conectarlos y utilizarlos debidamente.** La utilización de estos dispositivos reduce los riesgos relacionados con el polvo.

Mantenimiento y uso de la herramienta eléctrica

17. **No fuerce la herramienta eléctrica. Utilice la herramienta eléctrica correcta para su aplicación.** La herramienta eléctrica adecuada hará un trabajo mejor a la velocidad para la que ha sido fabricada.
18. **No utilice la herramienta eléctrica si el interruptor no la enciende y apaga.** Cualquier herramienta eléctrica que no pueda ser controlada con el interruptor es peligrosa y debe ser reemplazada.
19. **Desconecte la clavija de la fuente de energía y/o la batería de la herramienta eléctrica antes de realizar ajustes, cambiar accesorios o guardar las herramientas eléctricas.** Dichas medidas de seguridad preventivas reducen el riesgo de que la herramienta se inicie accidentalmente.
20. **Guarde la herramienta eléctrica que no use fuera del alcance de los niños y no permita que las personas que no están familiarizadas con ella o con las instrucciones la operen.** Las herramientas eléctricas son peligrosas en manos de personas que no saben operarlas.


21. **Realice el mantenimiento a las herramientas eléctricas.** Compruebe que no haya partes móviles desalineadas o estancadas, piezas rotas y cualquier otra condición que pueda afectar al funcionamiento de la herramienta eléctrica. Si la herramienta eléctrica está dañada, haga que se la reparen antes de utilizarla. Muchos accidentes son ocasionados por herramientas eléctricas con un mal mantenimiento.
22. **Mantenga las herramientas de corte limpias y filosas.** Si recibe un mantenimiento adecuado y tiene los bordes afilados, es probable que la herramienta se atasque menos y sea más fácil controlarla.
23. **Utilice la herramienta eléctrica, así como accesorios, piezas, brocas, etc. de acuerdo con estas instrucciones y de la manera establecida para cada tipo de unidad en particular; tenga en cuenta las condiciones laborales y el trabajo a realizar.** Si utiliza la herramienta eléctrica para realizar operaciones distintas de las indicadas, podrá presentarse una situación peligrosa.

Servicio de mantenimiento

24. **Haga que una persona calificada repare la herramienta utilizando sólo piezas de repuesto idénticas.** Esto asegura que se mantenga la seguridad de la herramienta eléctrica.
25. **Siga las instrucciones para la lubricación y cambio de accesorios.**
26. **Mantenga las agarraderas secas, limpias y sin aceite o grasa.**

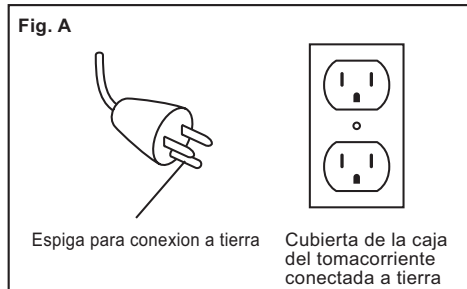
UTILICE UN CABLE DE EXTENSIÓN ADECUADO. Utilice sólo cables de extensión de tres conductores que tienen clavijas de tres espigas a tierra y tomas de corriente de tres polos que aceptan la clavija de la herramienta. Asegúrese de que el cable de extensión esté en buenas condiciones. Reemplace o repare el cable dañado o gastado inmediatamente. Cuando use un cable de extensión, asegúrese de que éste sea lo suficientemente potente como para soportar la tensión eléctrica que producirá el uso de la herramienta. Un cable demasiado delgado producirá una reducción del voltaje, lo que ocasionará una disminución en la corriente y sobrecalentamiento. La tabla 1 muestra el tamaño correcto de cable, dependiendo de la longitud y del rango de amperio establecido en la placa de fábrica. Si tiene duda, utilice uno más potente. Cuanto más pequeño sea el número del calibre, más potente será el cable.

Tabla 1. Calibre mínimo para el cable

Amperaje nominal		Volts	Longitud total del cable en metros			
		120 V 	7,6 m (25 ft)	15,2 m (50 ft)	30,4 m (100 ft)	45,7 m (150 ft)
Más de	No más de	Calibre del cable (AWG)				
0 A	6 A		18	16	16	14
6 A	10 A		18	16	14	12
10 A	12 A		16	16	14	12
12 A	16 A		14	12	No se recomienda	

INSTRUCCIONES DE CONEXIÓN A TIERRA:

Esta herramienta debe conectarse a una conexión aterrizada durante su operación para proteger al operador contra una descarga eléctrica. Esta herramienta está equipada con un cable de alimentación y conexión trifásicos para ajustarse a un receptáculo aterrizado adecuadamente. El conductor verde (o verde y amarillo) del cable es la conexión a tierra. Nunca conecte dicho cable a una terminal electricificada. Su unidad es para usar en 120 volts y tiene una clavija igual a la que aparece en la Figura "A".



ADVERTENCIAS DE SEGURIDAD PARA LA REBAJADORA

1. Sujete la herramienta eléctrica por las superficies de sujeción aisladas debido a que puede que la pieza cortadora llegue a tener contacto con su propio cable eléctrico. El contacto con un cable con corriente puede que electrifique las piezas metálicas expuestas de la herramienta causando que el operario reciba una descarga eléctrica.
2. Utilice abrazaderas o algún otro modo práctico para asegurar y sujetar la pieza de trabajo a una plataforma estable. Sostener la pieza de trabajo con la mano o contra su cuerpo produce inestabilidad y una posible pérdida de control.
3. Póngase protección para los oídos durante los periodos de operación prolongados.
4. Maneje las fresas con mucho cuidado.
5. Inspeccione la fresa cuidadosamente para ver si tiene grietas o daños antes de comenzar la operación. Reemplace la fresa inmediatamente si está agrietada o dañada.
6. Evite cortar clavos. Inspeccione y quite todos los clavos de la pieza de trabajo antes de la operación.
7. Sujete la herramienta firmemente con ambas manos.
8. Mantenga las manos alejadas de las piezas giratorias.
9. Asegúrese de que la fresa no esté haciendo contacto con la pieza de trabajo antes de activar el interruptor.
10. Antes de usar la herramienta en una pieza de trabajo, déjela un rato en funcionamiento. Observe si se producen vibraciones o desequilibrios que pudieran indicar que la broca está mal colocada.


11. Tenga cuidado con la dirección de giro y de avance de la fresa.
12. No deje la herramienta en marcha. Tenga en marcha la herramienta solamente cuando la tenga en la mano.
13. Apague siempre la herramienta y espere hasta que la fresa haya parado completamente antes de retirar la herramienta de la pieza de trabajo.
14. No toque la fresa inmediatamente después de la operación; estará muy caliente y podrá y quemarle la piel.
15. No manche la base de la herramienta con diluyente, gasolina, aceite o por el estilo. Estos productos pueden ocasionar grietas en la base de la herramienta.
16. Use fresas del diámetro de vástago correcto adecuado a la velocidad de la herramienta.
17. Algunos materiales contienen sustancias químicas que pueden ser tóxicas. Tome precauciones para evitar la inhalación de polvo o que éste tenga contacto con la piel. Consulte la información de seguridad del proveedor de los materiales.
18. Siempre utilice el respirador/máscara indicado para protegerse del polvo que corresponda con la aplicación o material con el que trabaje.

GUARDE ESTAS INSTRUCCIONES.

⚠ADVERTENCIA: NO DEJE que la comodidad o familiaridad con el producto (a base de utilizarlo repetidamente) sustituya la estricta observancia de las normas de seguridad para dicho producto. El MAL USO o el no seguir las normas de seguridad establecidas en este manual de instrucciones puede ocasionar graves lesiones personales.

Símbolos

A continuación se muestran los símbolos utilizados para la herramienta.

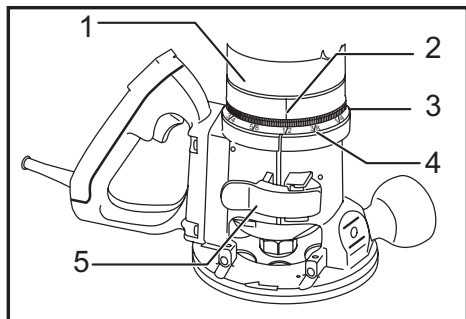
V	volts o voltios
A	ampere o ampério
Hz	hertz o hercios
	corriente alterna
n_0	velocidad en vacío o sin carga
... /min r /min	revoluciones o alternaciones por minuto, frecuencia de rotación.

DESCRIPCIÓN DEL FUNCIONAMIENTO

⚠️ PRECAUCIÓN:

- Asegúrese siempre de que la herramienta esté apagada y desconectada antes de ajustar o comprobar cualquier función en la misma.

Ajuste de la profundidad de corte

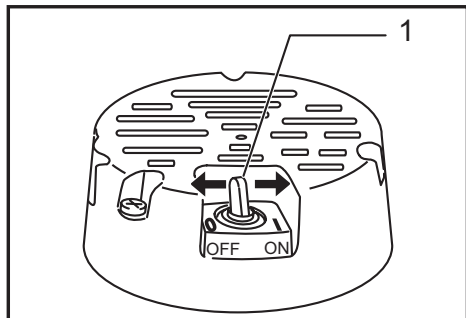


- 1. Carcasa del motor (chasis) 2. Línea indicadora 3. Anillo medidor 4. Graduación 5. Palanca de bloqueo

Coloque la herramienta en una superficie plana de madera. Abra la palanca de bloqueo. Gire la unidad del motor hasta que la broca toque justamente sobre la superficie plana. Cierre la palanca de bloqueo. Gire el anillo medidor hasta que la raya del cero esté sobre la línea indicadora en la unidad del motor. Una graduación en el anillo medidor significa que el borde de corte de la broca está expuesto 1/64" por debajo de la base. Mientras sostiene la base firmemente, abra la palanca de bloqueo y gire la unidad del motor en sentido de las manecillas del reloj hasta que la línea indicadora en la unidad del motor alcance la profundidad deseada que se indica en el anillo medidor. Cierre la palanca de bloqueo firmemente.

Accionamiento del interruptor

Para RF1100 y RF1101



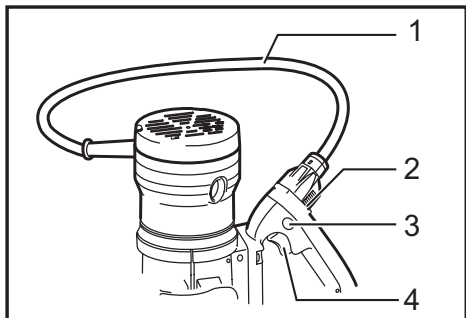
- 1. Palanca interruptora

⚠️ PRECAUCIÓN:

- Antes de conectar la herramienta, compruebe siempre y asegúrese de que esté apagada.
- El interruptor puede ser bloqueado en la posición "ON" (encendido) para mayor comodidad del operario durante una utilización prolongada. Tenga precaución cuando bloquee la herramienta en la posición "ON" (encendido) y sujete la herramienta firmemente.

Para poner en marcha la herramienta, mueva la palanca del interruptor a la posición I (ON-encendido). Para parar la herramienta, mueva la palanca del interruptor a la posición O (OFF-apagado).

Para RD1101



- 1. Cable de la unidad del motor 2. Toma 3. Botón de bloqueo 4. Gatillo interruptor

⚠️ PRECAUCIÓN:

- Antes de conectar la herramienta, compruebe siempre que el gatillo interruptor se acciona debidamente y que vuelve a la posición "OFF" (apagado) cuando lo suelta.
- El interruptor puede ser bloqueado en la posición "ON" (encendido) para mayor comodidad del operario durante una utilización prolongada. Tenga precaución cuando bloquee la herramienta en la posición "ON" (encendido) y sujete la herramienta firmemente.

Después de conectar el cable de la unidad del motor a la toma de corriente en el mango, mueva la palanca del interruptor a la posición de encendido "ON". Para encender la herramienta, simplemente jale el gatillo interruptor. Suéltelo para apagar la herramienta. Para operarla en forma continua, jale el gatillo y luego presione el botón de bloqueo. Para destrabar la herramienta, jale el gatillo por completo y luego suéltelo.

Control de ajuste de velocidad

Para el modelo RF1101 y RD1101 solamente.

La velocidad de la herramienta puede ajustarse de forma infinita entre 8 000 y 24 000 rpm al usar el control giratorio de velocidad ubicado en la parte superior de la herramienta. Se consigue una mayor velocidad cuando el control giratorio está hacia la dirección del número 6; una menor velocidad se consigue cuando se gira hacia la dirección del número 1.

Esto permite que la velocidad ideal sea escogida para un procesamiento óptimo del material, por ejemplo, la velocidad puede ajustarse correctamente para corresponder con el material y el diámetro de la broca.

⚠ PRECAUCIÓN:

- Si la herramienta es utilizada continuamente a velocidades bajas durante largo tiempo, el motor se sobrecargará resultando en un mal funcionamiento de la herramienta.
- El control de ajuste de velocidad sólo se puede subir hasta 6 y bajar hasta 1. No lo fuerce más allá de estas marcas o de lo contrario la función de ajuste de velocidad podría arruinarse.

ENSAMBLE

⚠ PRECAUCIÓN:

- Asegúrese siempre de que la herramienta esté apagada y desconectada antes de realizar cualquier trabajo en la misma.

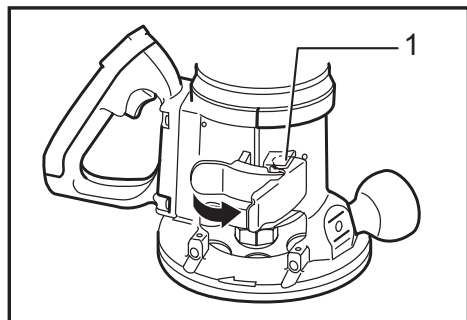
Instalación o extracción de la punta

⚠ PRECAUCIÓN:

- No apriete el cono sujetador sin insertar una broca por que el cono sujetador se romperá.
- Al usar una broca con un diámetro mayor a 1-1/4", instale la placa base con el orificio central de 2-1/2" de diámetro, reemplazando la placa base original.

Primero, quite la unidad del motor de la base como se indica a continuación.

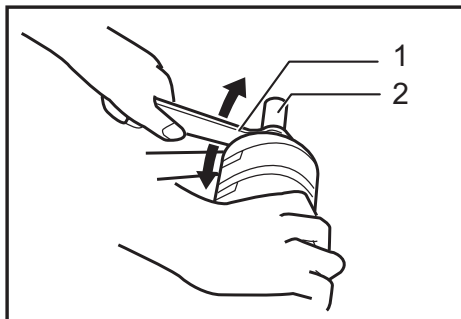
1. Abra la palanca de bloqueo.



▶ 1. Palanca de bloqueo

2. Mientras sujeta la base, gire la unidad del motor en sentido contrario a las manecillas del reloj.
3. Gírelo hasta que la clavija en la base se desenganche de la ranura en la unidad del motor. Levante la unidad del motor separándola de la base.

Inserte la broca por completo en el cono de sujeción y apriete la tuerca firmemente con las dos llaves.



▶ 1. Llave 2. Broca del router

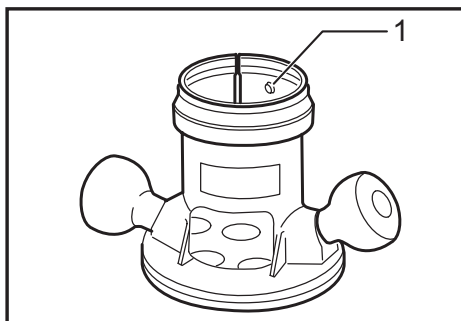
Estos routers pueden aceptar las brocas con ejes de diámetro de 1/2". Al usar la broca con eje de diámetro de 1/4", reemplace la prensa de sujeción original con la que es para brocas de dicha medida, la cual se incluye con un accesorio estándar.

Para quitar la broca, siga a la inversa el procedimiento de instalación.

Reinstale la unidad del motor.

Instale la unidad del motor a la base como se indica a continuación.

1. Abra la palanca de bloqueo.
2. Mientras sujeta la base, inserte la unidad del motor a la base alineando la clavija con la ranura en la base.

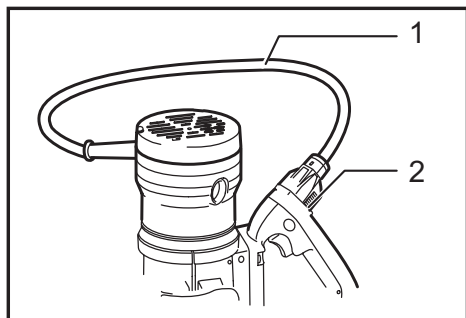


▶ 1. Clavija o protuberancia

3. Confirme que la clavija y la ranura estén alineadas. Gire la unidad del motor en la base en sentido de las manecillas del reloj.
4. Cierre la palanca de bloqueo.

Para modelo equipado con interruptor en el mango.

Para el modelo RD1101 solamente

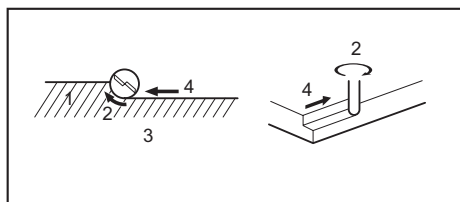


► 1. Cable de la unidad del motor 2. Toma

Conecte el cable de la unidad del motor a la toma de corriente en el mango.

OPERACIÓN

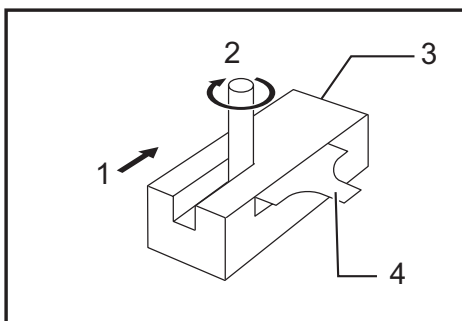
Coloque la base de la herramienta sobre la pieza de trabajo a cortar sin que la fresa toque. Después encienda la herramienta y espere hasta que la fresa adquiera plena velocidad. Mueva la herramienta hacia delante sobre la superficie de la pieza de trabajo, manteniendo la base de la herramienta a ras y avanzando suavemente hasta completar el corte. Cuando haga corte de bordes, la superficie de la pieza de trabajo deberá estar en el costado izquierdo de la fresa en la dirección de avance.



► 1. Pieza de trabajo 2. Dirección de giro de la fresa
3. Vista desde la parte superior de la herramienta
4. Dirección de alimentación

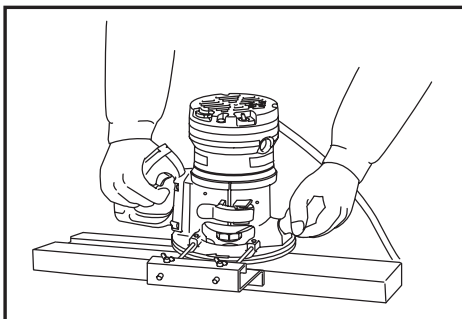
NOTA:

- Si mueve la herramienta hacia delante muy de prisa podrá ocasionar un corte de mala calidad, o dañar la fresa o el motor. Si mueve la herramienta hacia delante muy despacio podrá quemar y arruinar el corte. La velocidad de avance apropiada dependerá del tamaño de la fresa, el tipo de pieza de trabajo y la profundidad de corte. Antes de comenzar el corte en la pieza de trabajo real, se aconseja hacer un corte de prueba en una pieza de madera de desecho. Esto mostrará exactamente cómo será el corte y también le permitirá comprobar las dimensiones.
- Cuando use la guía recta, asegúrese de instalarla sobre el lado correcto en la dirección del alimentador. Esto ayudará a mantenerla a ras con el costado de la pieza de trabajo.



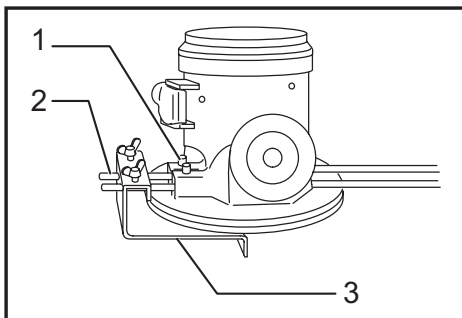
► 1. Dirección de alimentación 2. Dirección de giro de la fresa 3. Pieza de trabajo 4. Guía recta

Guía recta (accesorio opcional)



La guía recta resulta útil para realizar cortes rectos cuando se hacen biselés o ranuras.

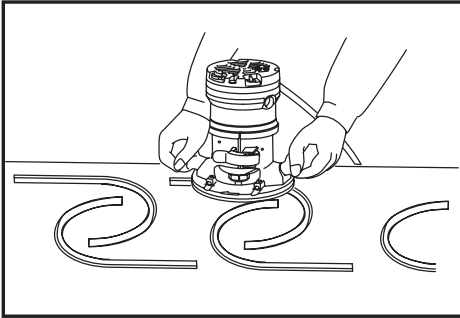
Para instalar la guía recta, inserte las barras de la guía en los orificios en la base de la herramienta. Ajuste la distancia entre la broca y la guía recta. En la distancia deseada, apriete los pernos hexagonales de ajuste para fijar la guía recta.



► 1. Pernos hexagonales de ajuste 2. Barra de guía
3. Guía recta

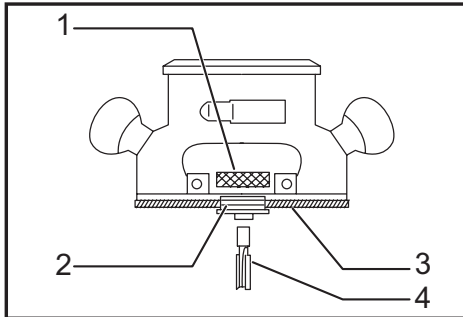
Cuando corte, mueva la herramienta con la guía recta a ras del costado de la pieza de trabajo.

Guía de plantilla (accesorio opcional)



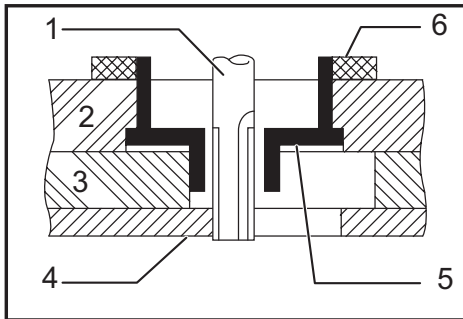
La guía de plantilla proporciona un manguito a través del que pasa la fresa.

Para instalar la guía de plantilla, insértela en el orificio central en la placa de la base y fíjela con la tuerca de ajuste.



► 1. Contratuera 2. Guía de plantilla 3. Placa base 4. Broca del router

Sujete la plantilla en la pieza de trabajo. Ponga la herramienta sobre la plantilla y mueva la herramienta deslizando la guía de plantilla a lo largo del costado de la plantilla.



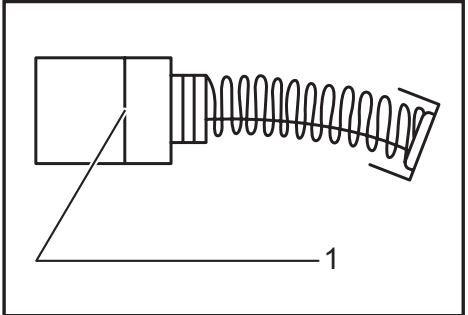
► 1. Broca del router 2. Base 3. Plantilla 4. Pieza de trabajo 5. Guía de plantilla 6. Contratuera

MANTENIMIENTO

⚠PRECAUCIÓN:

- Asegúrese siempre que la herramienta esté apagada y desconectada antes de intentar realizar una inspección o mantenimiento.
- Nunca use gasolina, bencina, diluyente (tíner), alcohol o sustancias similares. Puede que esto ocasione grietas o descoloramiento.

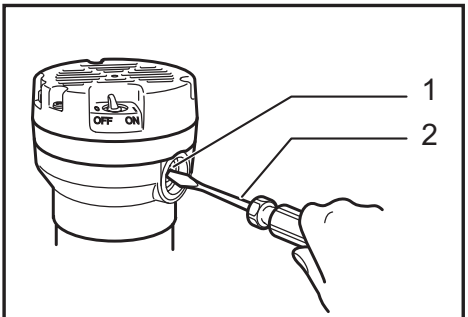
Reemplazamiento de las escobillas de carbón



► 1. Marca límite

Extraiga e inspeccione de forma periódica las escobillas de carbón. Sustitúyalas cuando se hayan gastado hasta la marca límite. Mantenga las escobillas de carbón limpias de forma que entren libremente en los portaescobillas. Ambas escobillas de carbón deberán ser sustituidas al mismo tiempo. Utilice únicamente escobillas de carbón originales e idénticas.

Utilice un destornillador para quitar Tapa del carbón. Extraiga las escobillas gastadas, inserte las nuevas y vuelva a colocar las tapas.



► 1. Tapa del carbón 2. Destornillador

Para mantener la SEGURIDAD y FIABILIDAD del producto, las reparaciones, y cualquier otra tarea de mantenimiento o ajuste deberán ser realizadas en Centros de Servicio Autorizados por Makita, empleando siempre repuestos Makita.

ACCESORIOS OPCIONALES

⚠ PRECAUCIÓN:

- Estos accesorios o aditamentos (incluidos o no) están recomendados para utilizar con su herramienta Makita especificada en este manual. El empleo de cualesquiera otros accesorios o acoplamientos conllevará un riesgo de sufrir heridas personales. Utilice los accesorios o acoplamientos solamente para su fin establecido.

Si necesita cualquier ayuda para más detalles en relación con estos accesorios, pregunte a su centro de servicio Makita local.

- Fresas rectas y de formación de ranuras
- Fresas de formación de bordes
- Fresas de recorte de laminados
- Guía recta
- Guías de plantilla
- Contratuerca
- Placa de base despejada (orificio central de 2-1/2")
- Llave 27

NOTA:

- Algunos de los artículos en la lista puede que vengan junto con el paquete de la herramienta como accesorios incluidos. Puede que estos accesorios varíen de país a país.

GARANTÍA LIMITADA DE MAKITA

Ésta Garantía no aplica para México

Consulte la hoja de la garantía anexa para ver los términos más vigentes de la garantía aplicable a este producto. En caso de no disponer de esta hoja de garantía anexa, consulte los detalles sobre la garantía descritos en el sitio web de su país respectivo indicado a continuación.

Estados Unidos de América: www.makitatools.com

Canadá: www.makita.ca

Otros países: www.makita.com

< USA only >

WARNING

Some dust created by power sanding, sawing, grinding, drilling, and other construction activities contains chemicals known to the State of California to cause cancer, birth defects or other reproductive harm. Some examples of these chemicals are:

- lead from lead-based paints,
- crystalline silica from bricks and cement and other masonry products, and
- arsenic and chromium from chemically-treated lumber.

Your risk from these exposures varies, depending on how often you do this type of work. To reduce your exposure to these chemicals: work in a well ventilated area, and work with approved safety equipment, such as those dust masks that are specially designed to filter out microscopic particles.

< Sólo en los Estados Unidos >

ADVERTENCIA

Algunos polvos creados por el lijado, aserrado, esmerilado, taladrado y otras actividades de la construcción contienen sustancias químicas reconocidas por el Estado de California como causantes de cáncer, defectos de nacimiento y otros peligros de reproducción. Algunos ejemplos de estos productos químicos son:

- plomo de pinturas a base de plomo,
- sílice cristalino de ladrillos y cemento y otros productos de albañilería, y
- arsénico y cromo de maderas tratadas químicamente.

El riesgo al que se expone varía, dependiendo de la frecuencia con la que realice este tipo de trabajo. Para reducir la exposición a estos productos químicos: trabaje en un área bien ventilada y póngase el equipo de seguridad indicado, tal como las máscaras contra polvo que están especialmente diseñadas para filtrar partículas microscópicas.

Makita Corporation

3-11-8, Sumiyoshi-cho,
Anjo, Aichi 446-8502 Japan

www.makita.com

884304C943
EN, FRCA, ESMX
20190411